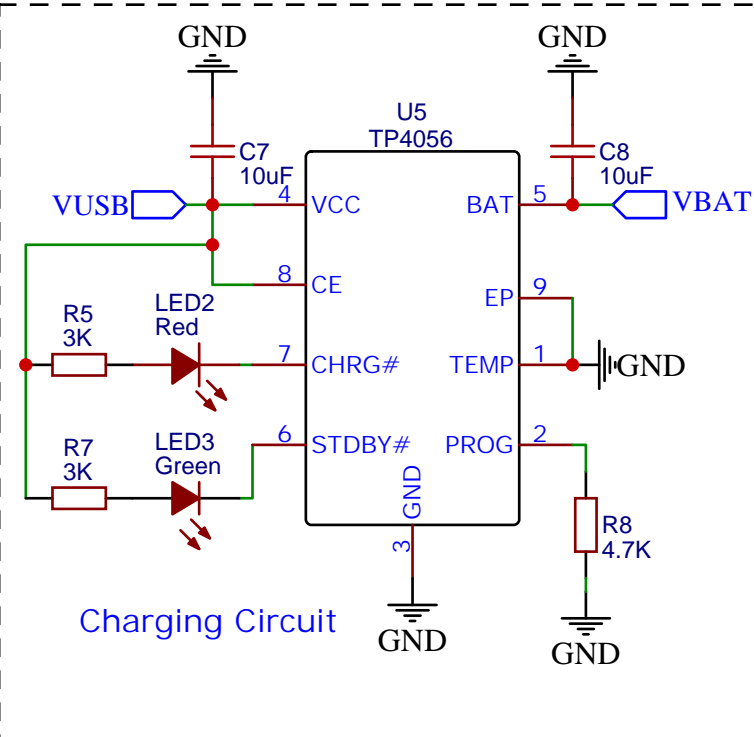
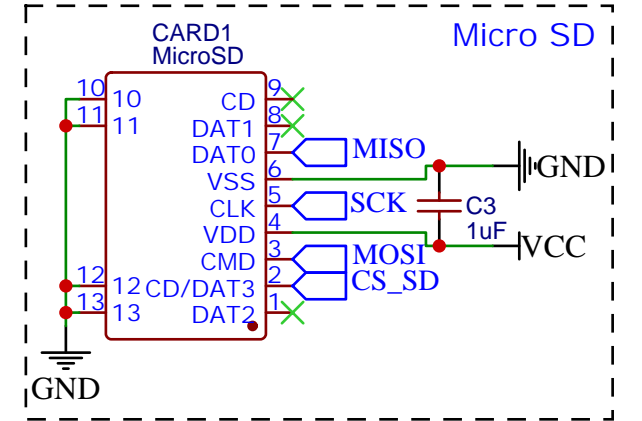
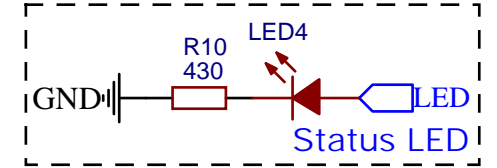
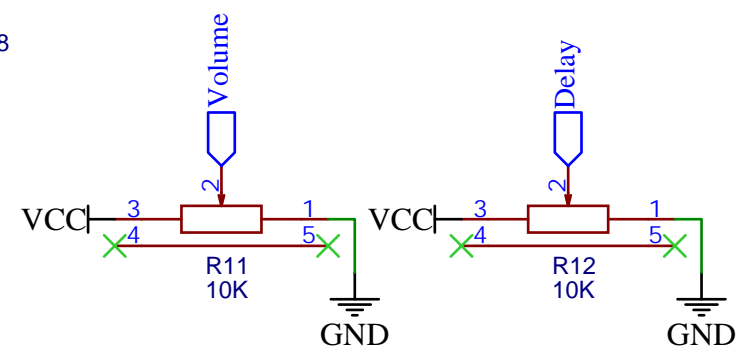
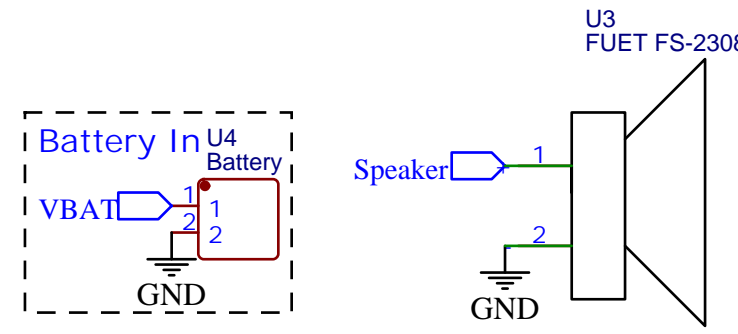
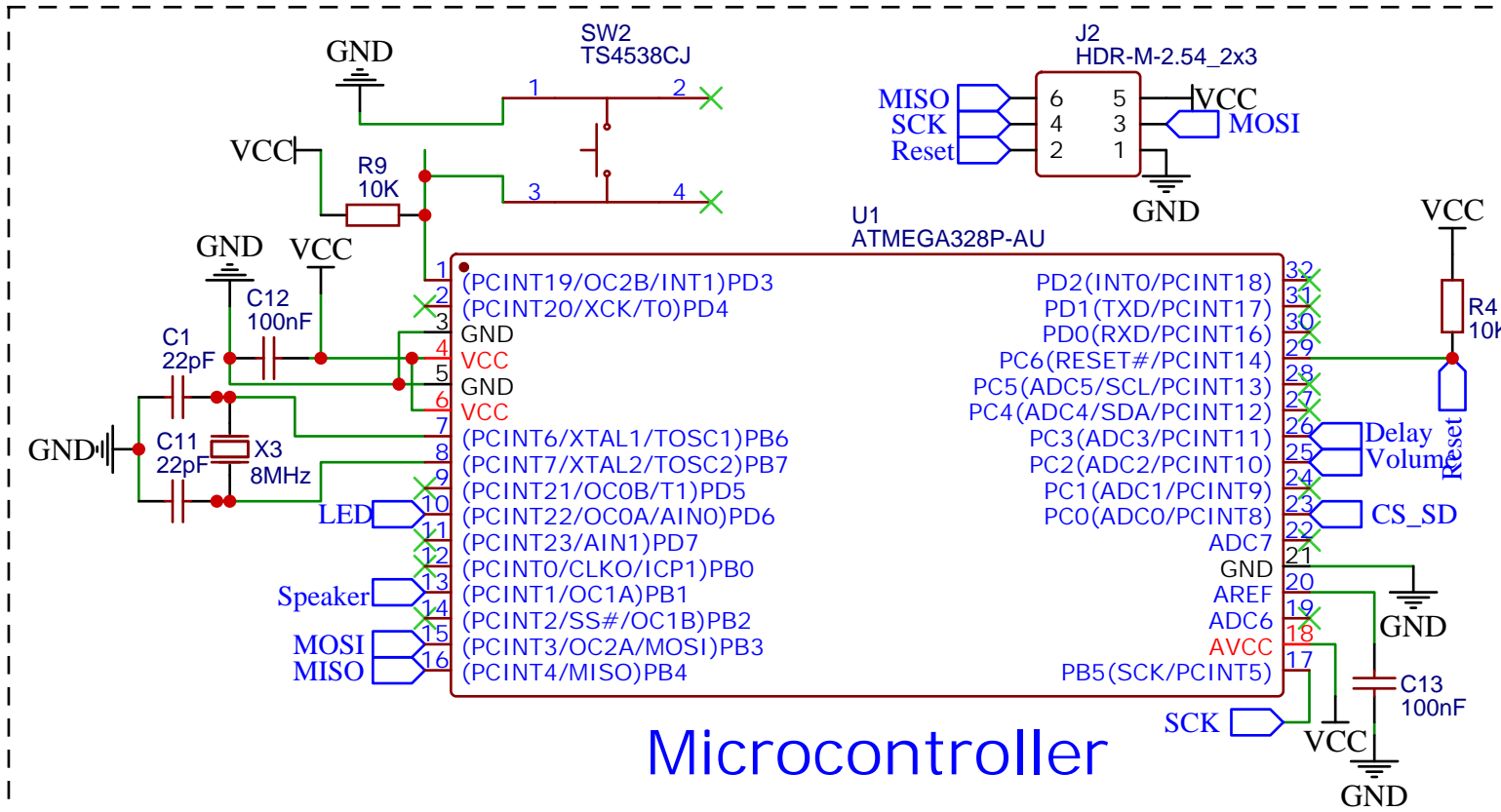


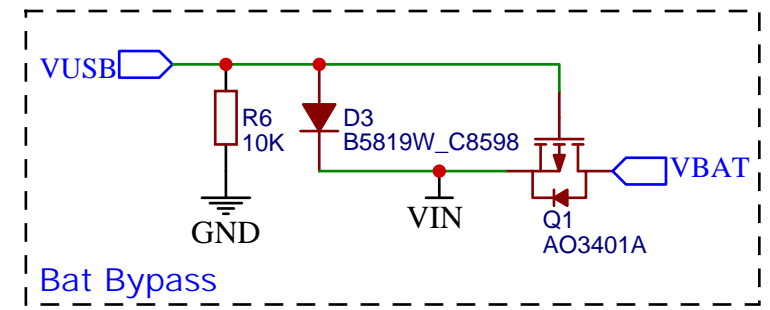
Voltage Regulator



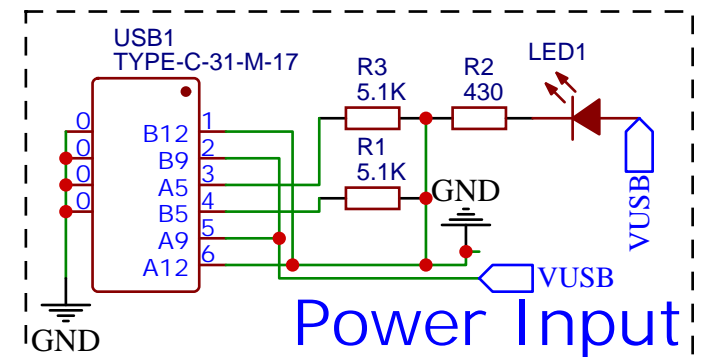
Charging Circuit



Microcontroller



Bat Bypass



Power Input